

ELECTRONIC PRICE TAG

VORMATIC ESL TAG 5.8 SPECIFICATION

Datasheet: V1.0



ESL TAG 5.8



BRIEF INTRODUCTION

Vormatic Series, is independently designed by Vormatic, utilised the latest Bluetooth® Low Energy 5.0 Technology. VORMATIC ESL TAG 5.8 features the latest e-ink display technology, providing fully graphic display, agile & flexible price updates. Also it delivers a near 180° viewing angle for excellent readability.

SPECIFICATION

Material	ABS
Color	White
Dimension	133.5 * 118 * 16 mm
Weight	180g
Display Area	119 * 88 mm
Resolution	648 * 480 px
Pixel Density	138 dpi
Dot pitch	0.1833 * 0.1833 mm
Display Color	Black White Red
Battery	CR2477*4

HIGHLIGHT



Pricing in 2s



5-year Battery
(Update 5 Times/day)



SDK/REST API



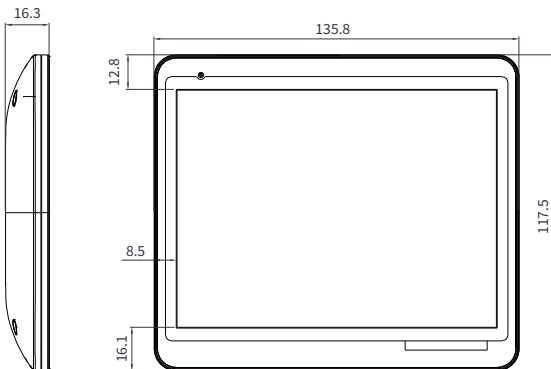
RGB LED Geolocation



Manage by Cloud



Synchronised
with POS & ERP



TECHNICAL PARAMETER

Communication Protocol	Bluetooth®Low Energy 5.0
Broadcast Power	0 dBm
Transmitting Distance	15-60 Meters
Static Current	5 uA
Operating Temperature	0°C-40°C
Storage Temperature	-20°C-60°C

COMPLIANCE

Certification	BQB, CE, RoHS, FCC
---------------	--------------------