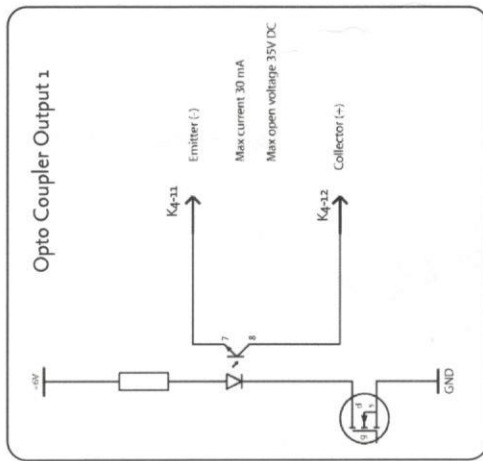
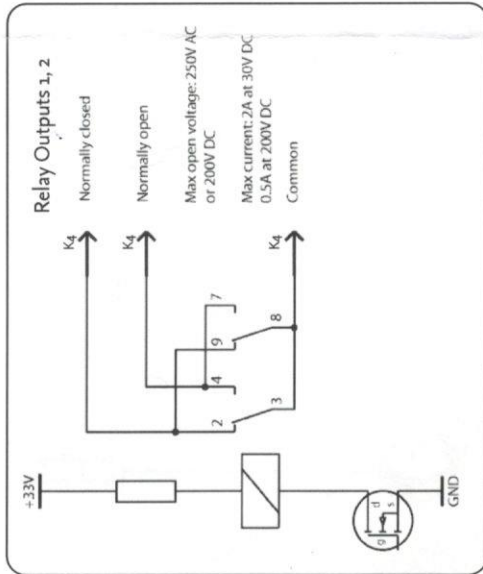
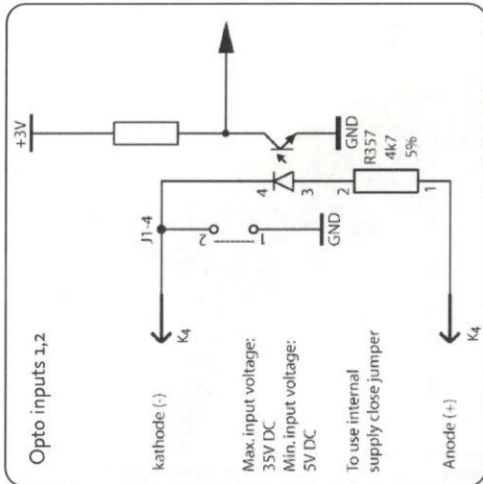


# NCC MK2 : Inputs / Outputs



Relay contacts:

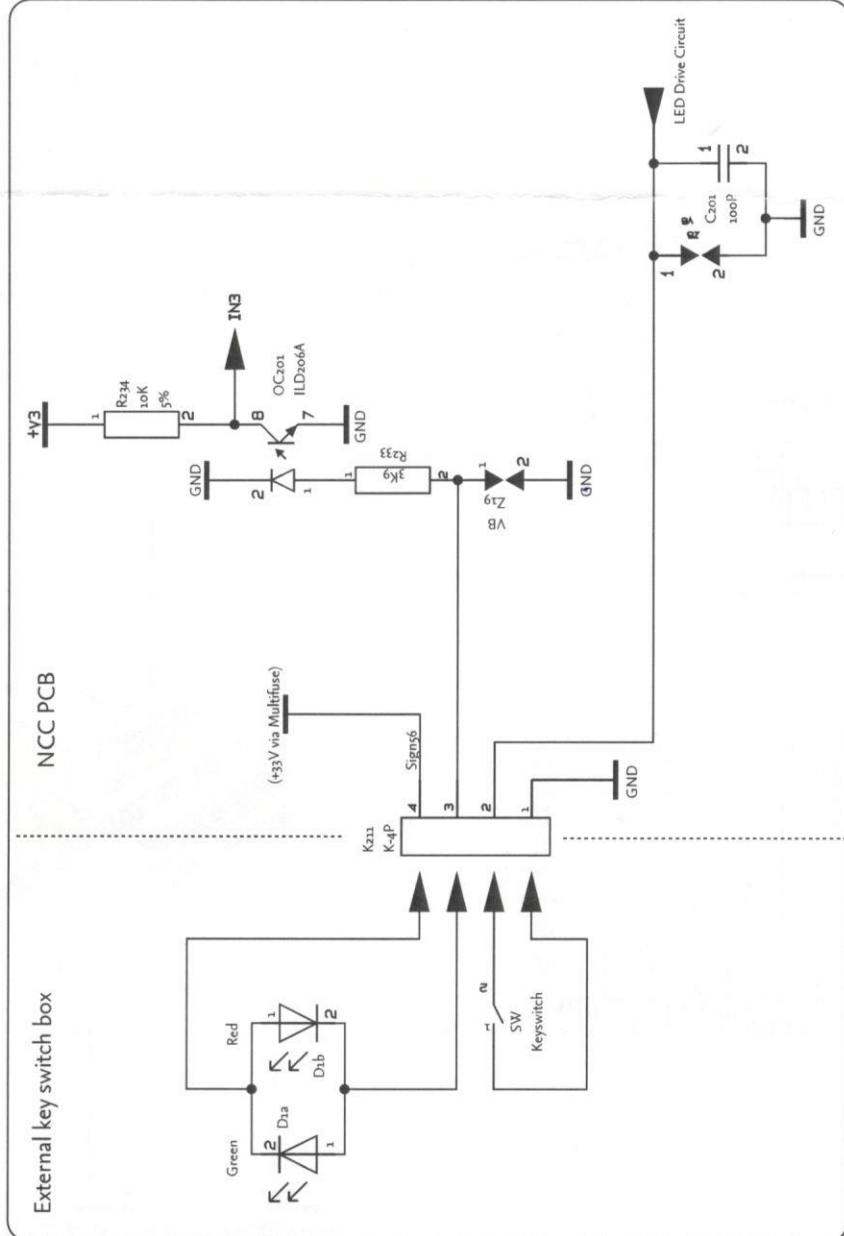
C	NO	NC
Ry1	K4-1	K4-3
Ry2	K4-4	K4-6

Opto output:

Collector(+)	Emitter(-)
K4-32	K4-31

Opto inputs:

Anode(+)	Kathode(-)
K4-7	K4-8
K4-9	K4-10



Standard and optional functions

Master out		NCC
Sync in	Y	4x
Input (opto)	2	Y
Input (opto mute)	1	2
Output (relay)	2	1
Output (opto)	1	Y
Data retention	Y	Y
IzC connection	Y	Y
Led status info / key switch option	Y	Y
Buzzer connection		FM
DCM		FM
RSM/NCM		FM

**Power Supply**

120W • NCC used in combination with XQ / Xz boards > if more than 6 boards are connected.  
• NCC used in combination with SQ/DQ/TDC if more than 3 units are connected.

Opto In1 indicator LED  
Opto In2 indicator LED

Analog Modem Status LEDs

RY1 indicator LED  
RY2 indicator LED

Power On LED

K212 In1 Opto to ground  
K213 In2 Opto to ground

K206 Modem Setup

Local Active LED

Power In on Sync

K209 Hand held terminal connector

Alarm Indication LED

Networking error LED

VCO lock indicator LED's

50 Ω close jumper

X1 Socket comm. module  
- PSTN Analog  
- GSM/GPRS  
- LAN /WLAN

K211 Key Switch  
1 Gnd  
2 Led out (to ground)  
3 Switch In (to 42V, pin 6)  
4 33V

K11 Power connector

Battery CR2032 for data retention

K4

- 1 RY1 C
- 2 RY1 NO
- 3 RY1 NC
- 4 RY2 C
- 5 RY2 NO
- 6 RY2 NC
- 7 Opto in 1 A
- 8 Opto in 1 K
- 9 Opto in 2 A
- 10 Opto in 2 K
- 11 Out 1 E
- 12 Out 1 C
- 13 I2C Sda
- 14 I2C Scl
- 15 +33V
- 16 Gnd

PSTN Connector  
Analog modem connection

RS232 Connector  
PC / Laptop connection

K10 Sync In

K101/K102/K103/K104 Master Out 1-4